

CDN Solution.

International Carrier Sales & Solutions (ICSS)

Life is for sharing.



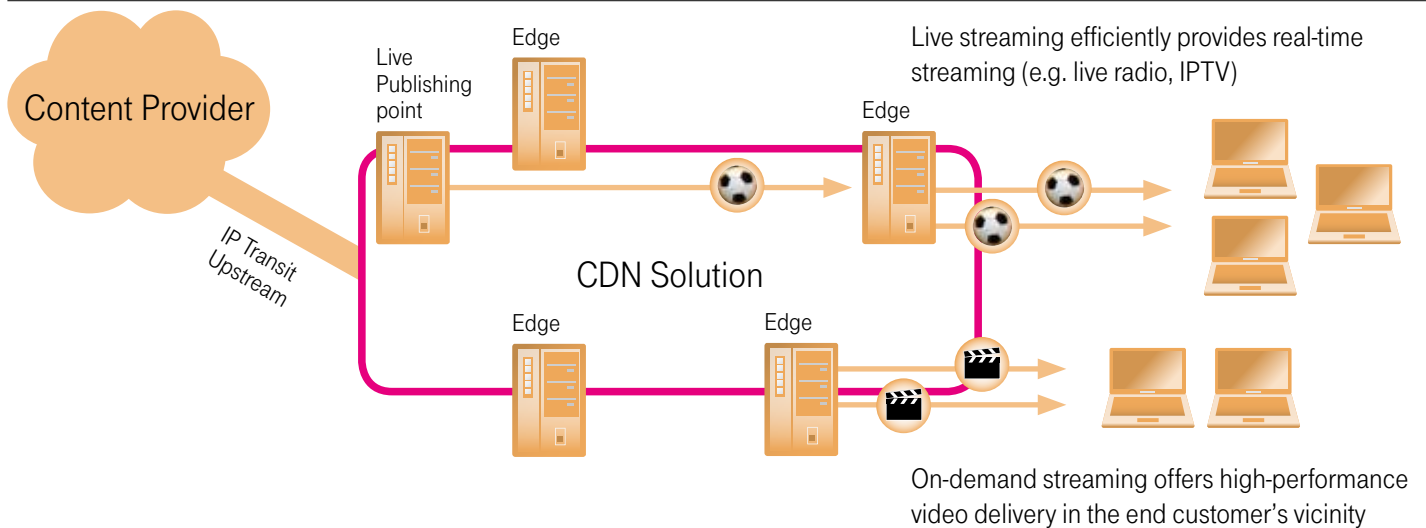
New
Media

A market with exponential growth perspectives.

The content delivery business is growing fast. The growing volumes of video, music and other data-heavy media are challenging the Internet's infrastructure. As your private subscribers and corporate customers use online video or audio more and more often, they expect you to provide them with superior user experience at limited

costs. For you – whether you are a content provider, gaming company, advertiser, or service or hosting provider – it is therefore crucial to provide online content in a faster and more secure way if you want to prevent your clients from experiencing “buffering” messages while trying to watch or download an online video.

Maximize your global content delivery performance with ICSS



Cost-effective global content delivery.

Further develop your web delivery performance thanks to ICSS's superior content delivery offering. Our state-of-the-art CDN Solution provides you with access to a large set of servers located strategically around the world. This "global load balancing" solution ensures that your end customers are routed to the nearest and/or fastest location to receive the requested content. It thus improves the performance of both live and on-demand content delivery over the Internet and private networks. By means of sophisticated content management tools and analytical suites, this innovative ICSS solution provides you with a competitive advantage in the delivery of digital media.

A complete set of content delivery services for your success.

- Whole Site Acceleration: increases the loading speed of website objects
- HTTP/Download: allows content delivery via the HTTP/HTTPS protocol for encryption (shared or private SSL certificate)
- Progressive Download: enables video delivery via HTTP, video plays and downloads at the same time (no streaming)
- On-demand Streaming: for the delivery of video streaming near the end user at great performance (platforms supported: Windows, Smooth Streaming, Flash, Move)
- Live Streaming: for real-time streaming of your applications such as concerts, live radio, IPTV (supported platforms: Windows, Smooth Streaming, Flash, Move)
- Full streaming support of Apple devices
- Premium Storage Solutions (global footprint)
- Your CDN Solution - Dedicated Application Hosting

Responding to your critical business requirements.

- Optimize the content delivery process
- Assure an application-adequate performance
- Improve the distribution of your video files
- Speed up the delivery of a variety of content types without increasing costs
- Pinpoint the real-time location of your web users
- Extend the reach to your consumers internationally
- Increase customer loyalty through excellent user experience
- Maintain site response times and decrease latency
- React as quickly as possible to the need of your customers

Why choose ICSS's „CDN Solution“?

- Faster delivery: extremely fast performing content delivery network
- Better value: one low price for streaming and HTTP
- Total reliability: SLA with keynote A+ rating
- Features that matter: security tools, real-time analytics and reporting suite, self provisioning control panel, reseller solution, API's
- Flexibility: providing more options on how content is delivered

ICSS's value proposition.

- Flexible content management tools
- Cutting edge reporting and analytic functionalities
- Global footprint at peering exchanges
- All streaming and download services available
- Automated online account provisioning
- Rich media white-labeled control panel features
- Security features: SSL token authentication, geo-blocking for higher value content across all platforms (HTTP, Flash, Windows Media)
- Superior quality, connectivity via Deutsche Telekom's International IP backbone provisioning
- Direct and efficient global access to your content audience

For further information, see
www.telekom-icss.com

Publisher

Deutsche Telekom AG
International Carrier Sales & Solutions (ICSS)
P.O. Box 2000
53105 Bonn
Germany